

SUPPORT SOLUTIONS



Company Profile

Copamate is an innovative SME providing steel support solutions across a number of industrial industries nation wide and internationally. Copamate continues to develop, applying its diverse knowledge with more than two decades of experience.

Our core focus is to supply our clients with the most efficient solution; embracing problem solving, sourcing, product development, design, manufacture and assembly.

Our quality management system is maintained to ISO9001:2015 requirements. Copamate is committed to providing custom, sourced and proprietary solutions that comply to established specifications, relevant national/international standards and regulatory requirements.

Copamate will support you at the planning and specification stage. We will provide a solution for your project either using off the shelf items or a customer specific design and fabrication by Copamate or your own design.

Services

Design Support
Drafting/Engineering
Seismic
Special Coatings
Customised Solutions
Pre-assemblies
Logistics
Technical Support

Project Solutions

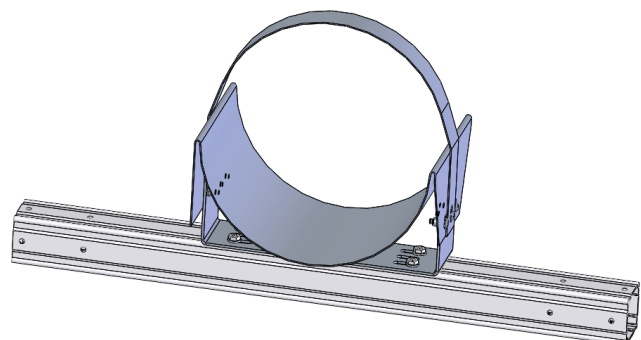
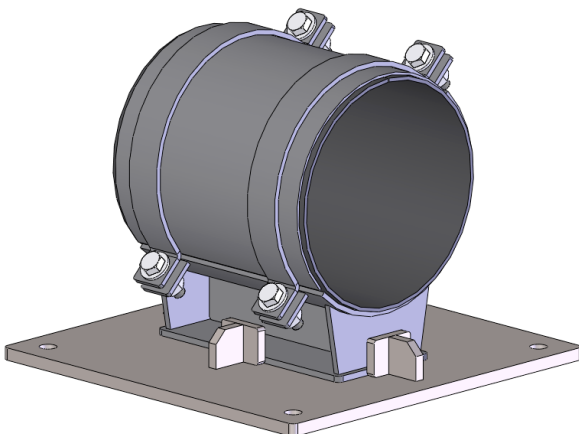
Steel Supports
Pipe Clamps
Slide Sets
Pipe Shoes
Walkways/Platforms
Rubber foot mounts
Roof top solutions

Industries

Water
Infrastructure
Rail
Oil & Gas
Petrochem
Process
Building Services
Defence

Fabricated Solutions

From design to manufacture, Copamate has the facilities to allow for engineered solutions to be manufactured to meet price, time and quality expectations. Our engineering team will work closely with yourself to ensure that a cost effective design is achieved prior to manufacture. Alternatively if you already have an approved design, we can provide your manufacturing solution. With a strong support team, we can offer an express service should it be required to meet tight time frames.



Modular Solutions

Copamate provides a complete modular solution : an industrial mechano. With minimal components available off the shelf, a solution can be achieved with a quick turn around. Flat packed or pre assembled, labelled and delivered to site clearly identified, reducing site labour time. Our solution can be modified on site should there be a tolerance issue and easily re-used should the structure no longer be required.

Benefits

- Readily available
- Wastage is reduced to a minimum
- No hot works
- Easy to use
- Minimal components
- Light weight

- Pre-Engineered
- Re-useable
- Self forming screws-no washers or nuts
- Adjustable
- High load bearing by low weight sections
- All standard parts coated to C4

Applications



Pipe Support



Pipe Support



Walkways

Projects



Legacy Way Tunnel Brisbane



Lion Cheese Factory Upgrade



New Royal Adelaide Hospital



Yara Fertiliser Plant Karatha



Wheat Stone Expansion



Papua New guinea
Airport Expansion



copamate pty ltd
T +61 3 9459 3644
sales@copamate.com
www.copamate.com